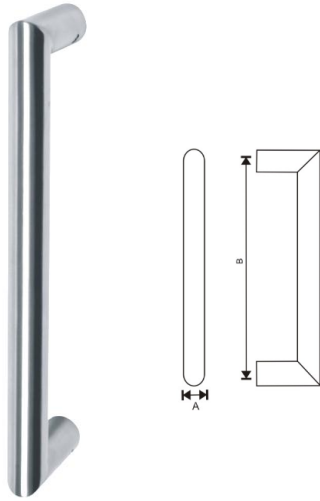
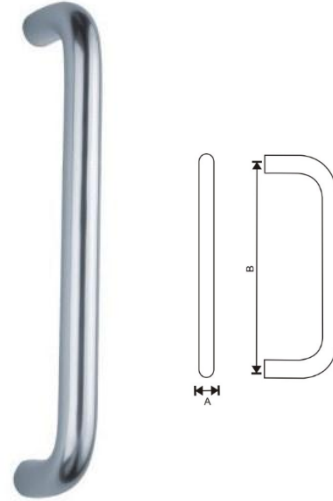


Pull Handles



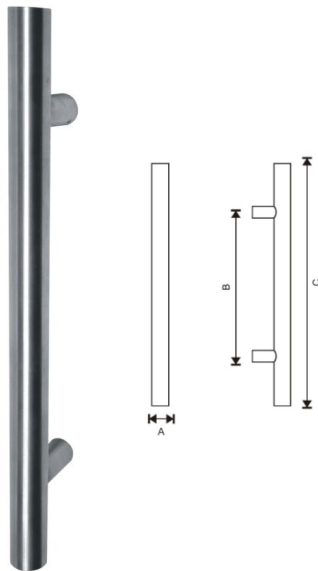
REF: FE48001 & FE48002

Reference	Specification	Remark	Material
FE48001	Dia.19/25/32mm CTC:150-600mm	Bolt Through	Stainless Steel
FE48002 (Solid)	Dia.19/25/32mm CTC:150-600mm	Bolt Through	



REF: FE40214 & FE48214

Reference	Specification	Remark	Material
FE40214-0	Dia.19/20/22/25/30/32mm CTC:150-1000mm	Bolt Through	Stainless Steel
FE48214-0 (Solid)	Dia.19/20/22/25/30/32mm CTC:150-1000mm	Bolt Through	



REF: FE48003 & FE48004

Reference	Specification	Remark	Material
FE48003	Dia.19/25/32mm CTC:225-1000mm	Bolt Through	Stainless Steel
FE48004 (Solid)	Dia.19/25/32mm CTC:225-1000mm	Bolt Through	



ON ROSE
REF: FE40215 & FE48215

Reference	Specification	Remark	Material
FE40215-0	Dia.19/20/22/25/30/32mm CTC:150-1000mm	Bolt Through	Stainless Steel
FE48215-0 (Solid)	Dia.19/20/22/25/30/32mm CTC:150-1000mm	Bolt Through	