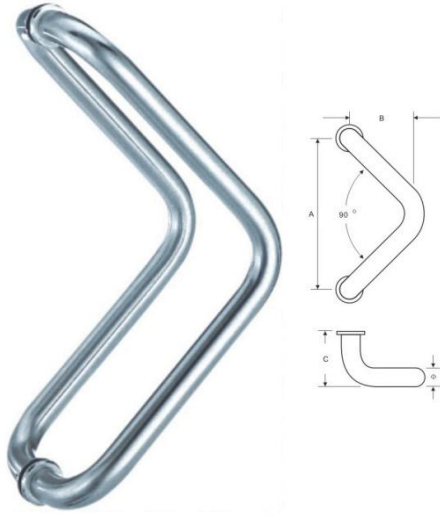
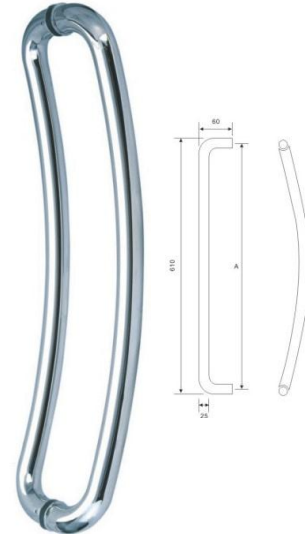


Pull Handles

H
A
N
D
L
E
S



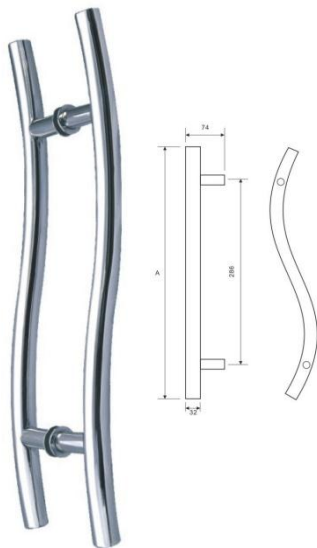
REF: FE40209 & FE42209



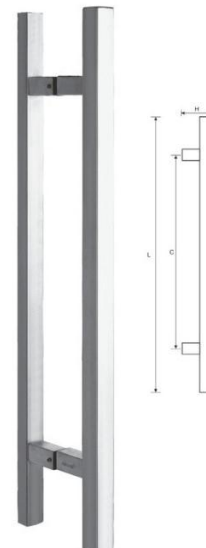
REF: FE40210 & FE42210

Reference	Specification	Remark	Material
FE40209	Dia.25mm CTC:300mm	Bolt Through	Stainless Steel
FE42209	Dia.25mm CTC:300mm	Back to Back	

Reference	Specification	Remark	Material
FE40210	Dia.22/25/32mm CTC:300-400mm	Bolt Through	Stainless Steel
FE42210	Dia.22/25/32mm CTC:300-400mm	Back to Back	



REF: FE40211 & FE42211



REF: FE40212 & FE42212

Reference	Specification	Remark	Material
FE40211	Dia.25mm CTC:300mm	Bolt Through	Stainless Steel
FE42211	Dia.25mm CTC:300mm	Back to Back	

Reference	Specification	Remark	Material
FE40212	19/20/22/25/30mm 20x30/20x40/30x15mm CTC:150-1000mm	Bolt Through	Stainless Steel
FE42212	19/20/22/25/30mm 20x30/20x40/30x15mm CTC:150-1000mm	Back to Back	