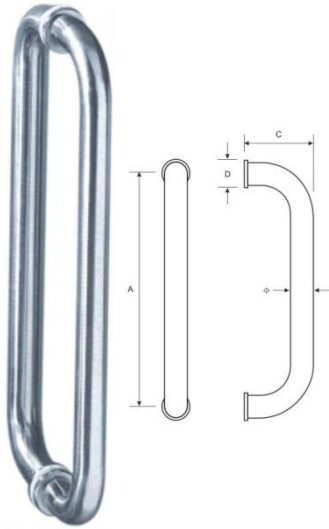
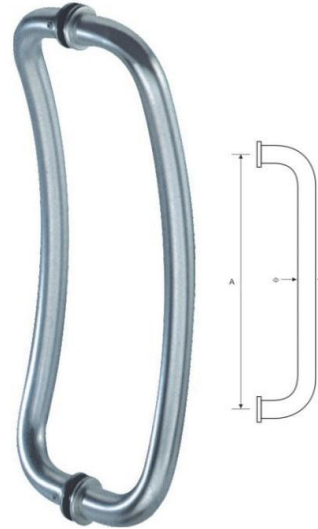


Pull Handles

H
A
N
D
L
E
S



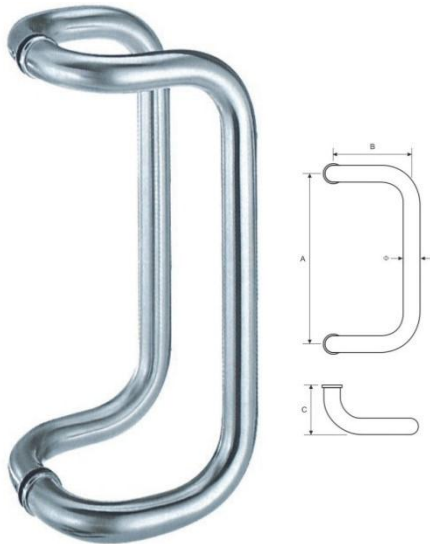
REF: FE40205 & FE42205



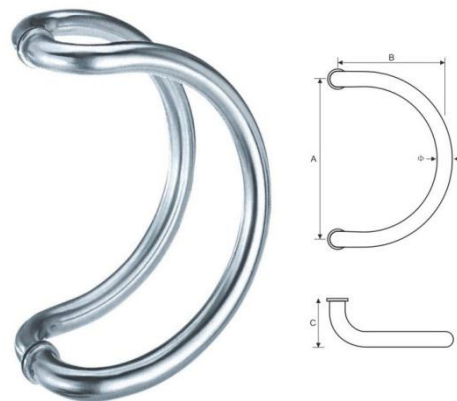
REF: FE40206 & FE42206

| Reference | Specification | Remark | Material |
|-----------|--|--------------|-----------------|
| FE40205 | Dia.19/20/22/25/30/32mm CTC: 150-1000mm | Bolt Through | Stainless Steel |
| FE42205 | Dia.19/20/22/25/30/32mm CTC: 150-1000mm | Back to Back | |

| Reference | Specification | Remark | Material |
|-----------|--|--------------|-----------------|
| FE40206 | Dia.19/20/22/25/30/32mm CTC: 150-1000mm | Bolt Through | Stainless Steel |
| FE42206 | Dia.19/20/22/25/30/32mm CTC: 150-1000mm | Back to Back | |



REF: FE40207 & FE42207



REF: FE40208 & FE42208

| Reference | Specification | Remark | Material |
|-----------|------------------------------|--------------|-----------------|
| FE40207 | Dia.25/32mm CTC:350/450mm | Bolt Through | Stainless Steel |
| FE42207 | Dia.25/32mm CTC:350/450mm | Back to Back | |

| Reference | Specification | Remark | Material |
|-----------|-----------------------|--------------|-----------------|
| FE40208 | Dia.32mm CTC:350mm | Bolt Through | Stainless Steel |
| FE42208 | Dia.32mm CTC:350mm | Back to Back | |