

Hook



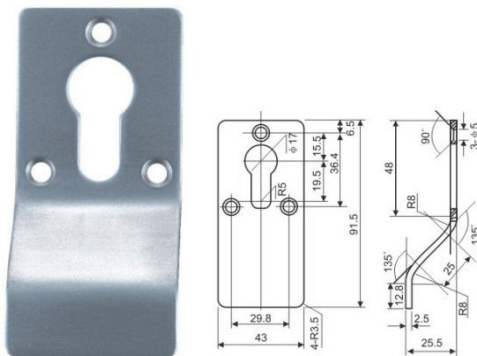
REF: FE50014

Reference	Specification	Material	Finish
FE50014	Dia. 32 x 75mm	Zinc Alloy	Nickel



REF: FE50015

Reference	Specification	Material	Finish
FE50015	49 x 69mm	Stainless Steel	SSS



CYLINDER PULL

REF: FE90201

Reference	Specification	Material
FE90201	Refer to drawing	Stainless Steel